



Camping ICE MAKER

Instruction Manual

NL12-ICE MAKER

Read these instructions carefully before using your Camping Ice Maker. We recommend that you keep this manual in a safe place for future reference.



CONTENTS

IMPORTANT SAFETY INSTRUCTIONS & SAFETY TIPS	1
PREPARING YOUR ICE MAKER FOR USE	2
GETTING TO KNOW YOUR UNIT	3
OPERATING PROCEDURES & MAINTENANCE	4
UNPACKING YOUR ICE MAKER	4
CONNECTING YOUR ICE MAKER	5
CLEANING AND MAINTAINING YOUR ICE MAKER	5
USING YOUR ICE MAKER	6
TROUBLE-SHOOTING	7
TECHNICAL PARAMETERS & EXPLODED PARTS DIAGRAM	8
ELECTRICAL CIRCUIT DIAGRAM	10
NATIONAL LUNA LIMITED WARRANTY	11

IMPORTANT SAFETY INSTRUCTIONS

Your safety and the safety of others is very important to us. This appliance manual contains important safety instructions. Please read carefully before use.

(Failure to follow these instructions could lead to serious injuries.)



Safety alert symbol:
(General Warning)

All safety messages will follow the safety alert symbol and the word “WARNING” or “DANGER”.



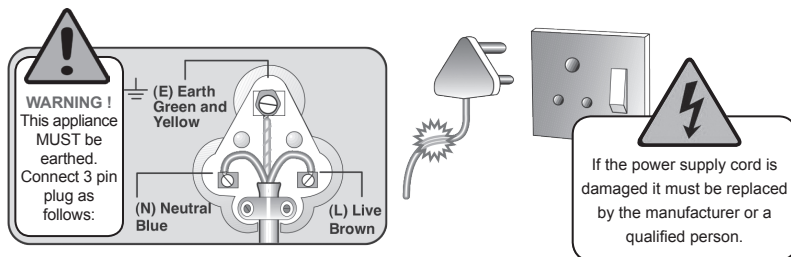
Fire Hazard Symbol:
(Flammable Materials)

Adhere to disposal regulations relating to refrigeration appliances.



Electrical Hazard Symbol: This appliance operates off 220 - 240Vac and is potentially lethal if incorrectly used.

Ensure electrical appliance is earthed/grounded as shown:



SAFETY TIPS

- Keep air ventilation openings clear of obstruction.
- Do not damage the refrigerant circuit.
- Never “hack/chip” at the ice with a plastic/metal tool or other means to accelerate the defrosting or ice harvesting process. (Doing so could puncture the cooling gas pipes and damage the unit.)
- Do not use any other type of electrical appliances inside the Ice Maker.

NB: The Ice Maker must operate on a level flat stable surface (see page 6)



This product should not be disposed with other household waste. Recycle responsibly to prevent possible harm to human health or the environment, as well as to promote the sustainable re-use of materials.



This Appliance conforms to IEC 60335-2-24 Safety Standards

PREPARING YOUR ICE MAKER FOR USE

When using electrical appliances, basic safety precautions should be followed to reduce the risk of fire, electrical shock, and injury to persons or property.

Read all instructions before using this appliance.

- This appliance is not intended for use by persons (incl. children) with reduced physical, sensory or mental capabilities, or lack of experience and knowledge. Exercise caution and supervise when this appliance is used near children.
- Do not operate this appliance with a damaged cord. (If the supply cord is damaged, it must be replaced by the manufacturer or its service agent or a similarly qualified person.)
- **The power cord must be connected to an earthed power source. (See page 5)**
- Do not run the power cord over carpeting or other heat insulators. Do not cover the cord. Keep cord away from traffic areas, and do not submerge in water.

We do not recommend the use of an extension cord, as it may overheat and become a fire hazard. If you must use an extension cord, use 0.75mm² minimum size 3-core cable thickness and rated no less than 16A/250Vac with a 3-pin plug. Ensure that the extension cable has correct earth/grounding. (Do not use a 2-core cable extension !!)



- Unplug the ice maker before cleaning or making any repairs or servicing.
- Do not use liquid other than water to make the ice.
- Do not clean your ice maker with flammable fluids. Fumes can create a fire hazard.
- This ice maker is designed to operate between 10°C and 43°C ambient temperatures.
- Do not store explosive substances such as aerosol cans with a flammable propellant in this appliance.
- Do not expose your ice-maker to the elements. Place the Ice Maker away from direct sunlight and make sure that there is at least 10mm of space between the back of your unit and a wall. Keep at least 10mm on each side of your unit for free airflow. (See page 6)
- This appliance is intended to be used in household and similar applications.

GETTING TO KNOW YOUR UNIT

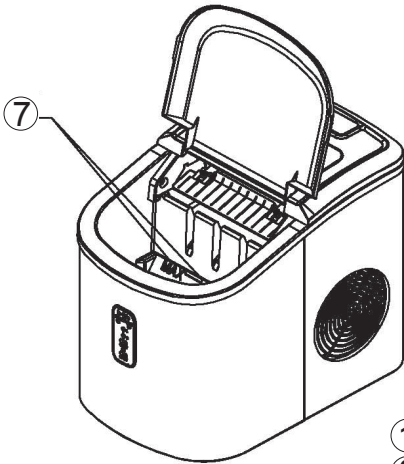
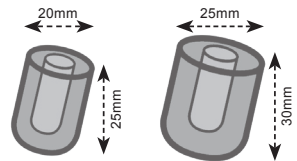
GENERAL INSTRUCTIONS:

1. Ice scoop
2. Ice full sensor
3. Ice basket and Ice shovel
4. Top cover with transparent window
5. Air outlet
6. Water drain plug: at front under side of the unit.
7. **MAXIMUM WATER LEVEL:** _____▲_____
(In order see the water level mark, remove the ice basket.)

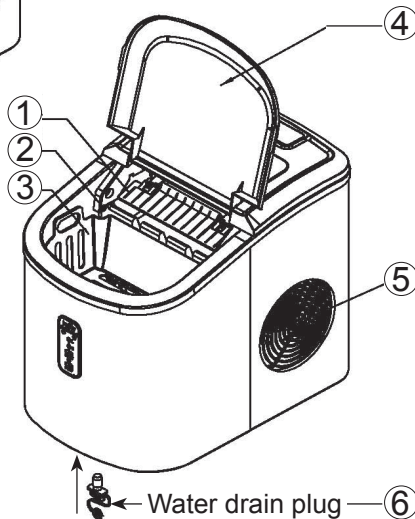


SIZE CONTROL:

Makes Small & Large Ice Bullets



The Ice-maker must be positioned so that the water drain plug is accessible.

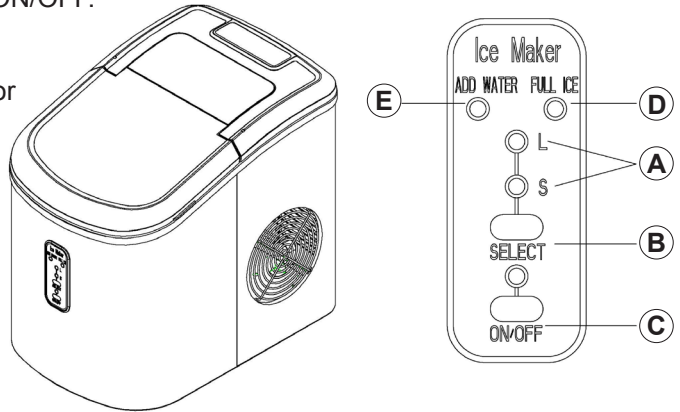


OPERATING PROCEDURES & MAINTENANCE

Position of control panel & function:

Control Panel: Easy to use, visible functions, touch display setting.

- A. Selected ice size displaying: Small and Large.
- B. Button to select ice cube size.
- C. Button to turn the unit ON/OFF.
- D. Ice Full indicator
- E. Water shortage indicator



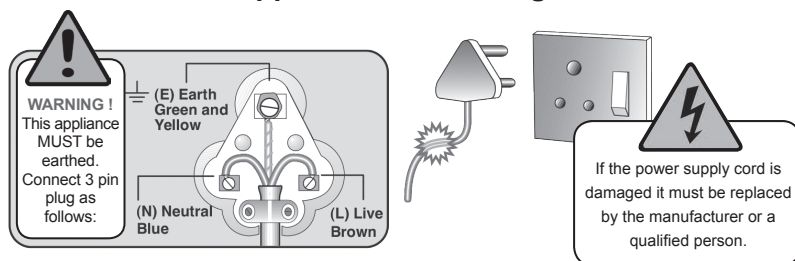
UNPACKING YOUR ICE MAKER

1. Remove the exterior and interior packaging. Check if the ice basket and ice shovel are inside. If any parts are missing, please contact your supplier.
2. Remove the tapes securing the ice basket and ice shovel.
3. Put the ice maker on a level and flat counter top with no direct sunlight and other sources of heat. Make sure that there is at least a 10cm gap all around the unit.
4. Allow one hour for the refrigerant fluid to settle before plugging Ice Maker in.
5. The appliance must be positioned so that the drain plug is accessible.
6. **WARNING:** Fill the water reservoir with drinking water only.

CONNECTING YOUR ICE MAKER

1. This unit should be properly earthed/grounded for your safety. The power cord of this appliance is equipped with a grounding plug which connects with standard grounding wall outlets to minimize possibility of electric shock.
2. Plug your appliance into an exclusive, properly installed, grounded wall outlet. Do not, under any circumstances, connect a damaged electrical cable to the wall socket.
3. Any questions concerning power and/or grounding should be answered by a certified electrician.
4. This appliance requires a standard 220-240Volt, 50Hz electrical outlet.

Ensure electrical appliance is earthed/grounded as shown:



CLEANING AND MAINTAINING YOUR ICE MAKER

Before using your ice maker, it is recommended to clean it thoroughly:

1. Take out the ice basket and ice shovel.
2. Clean the interior with a mild diluted detergent, warm water and a soft cloth.
3. Rinse the inside parts, and drain out the water by unplugging the water drain plug on the front underside of the ice maker.
4. The outside of the ice maker should be cleaned regularly with a mild detergent solution and warm water.
5. Dry the interior and exterior with a clean soft cloth.
6. When the machine is not going to be used for a long time, drain the water completely, dry the interior and leave the lid ajar.

USING YOUR ICE MAKER

NB: The Ice Maker must operate on a level flat stable surface.

1. Open the cover, remove the ice basket and pour 2.2 litres of water into the reservoir (tank). Keep water level below the MAXIMUM water level mark.
2. Press the “ON/OFF” button on the control panel to begin the ice making cycle.
3. Select the ice bullet size by pressing the “SELECT” button. If the room temperature is lower than 15°C, it is recommended to select small “S” ice. (This prevents the ice bullets sticking together.)
4. The ice bullet making cycle lasts approx. 6 to 13 minutes, depending on selection of ice size and the room temperature. The recommended ambient room temperature is between 10°C to 43°C.



The colder the ambient temperature, the quicker the ice will form. Below 10°C, and “L” setting, the unit may form a solid block around the metal freeze fingers and jam/damage the ice scoop mechanism.

5. If the water pump can't inject water, the ice maker will stop automatically, and the “Add Water” indicator will go on. Press the “ON/OFF” button, fill water up to the max. water level mark and press “ON/OFF” button again to turn on the unit again. Allow the refrigerant liquid inside the compressor at least 3 minutes to settle before restarting.
6. The unit stops when the ice basket is full (“Ice Full” indicator on). There is an optical (infra-red) sensor beam which will stop the ice making process when interrupted by ice filling the basket.



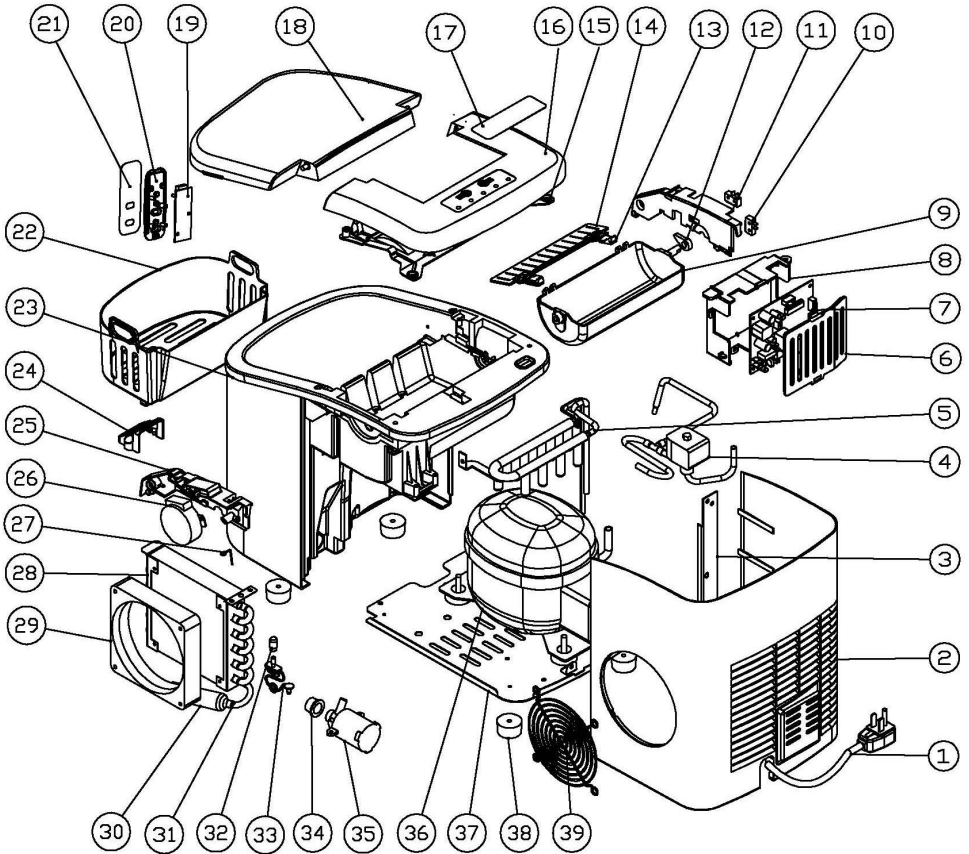
Direct sunlight or sunlight reflection may cause the infra-red sensor to malfunction. (eg. The unit may not stop even though the ice basket is full, or may switch off the ice-making process prematurely.)

7. To ensure healthy hygiene and prevent possible bacterial contamination, it is recommended to change the water in the water reservoir every 24 hours.
8. If the unit is not being used, drain all the water via the water drain plug and dry the reservoir and unit thoroughly - leaving the door ajar for airing.
(NOTE: If stored damp, mould and bacteria build-up will occur.)

TROUBLE-SHOOTING

PROBLEM	POSSIBLE CAUSE	SOLUTION
“ADD WATER” indicator is on.	Lack of Water.	Switch off the ice maker. Remove the ice basket & fill water to the water level mark. Press “ON/OFF” button again to restart the unit.
“ICE FULL” indicator is on.	The basket is full of ice.	Remove ice from ice basket.
	Ice has accumulated to one side only	Level the Ice Maker
	Ice shovel left inside basket is obstructing the infra-red	Remove or reposition ice shovel
Ice bullets stick together.	The ice making cycle is too long.	Stop the ice maker. Restart it when the ice melts. Select the size “S” ice bullet selection.
	Water temperature in the inner reservoir is too low.	Replace the water. (Temperature of water recommended at 10-32°C)
Ice making cycle is normal, but no ice has formed.	Ambient temperature or water temperature in inner reservoir is too high.	The room temperature should be 10-43°C, reservoir water temperature should be 10-32°C
	Ventilation around the fan is inadequate.	Move Ice Maker to ensure free air flow.
	The cooling fan is not working.	Verify this with a qualified technician.
	Refrigerant in cooling system has leaked.	Verify this with a qualified technician.
	Pipe in the cooling system is blocked.	Verify this with a qualified technician.

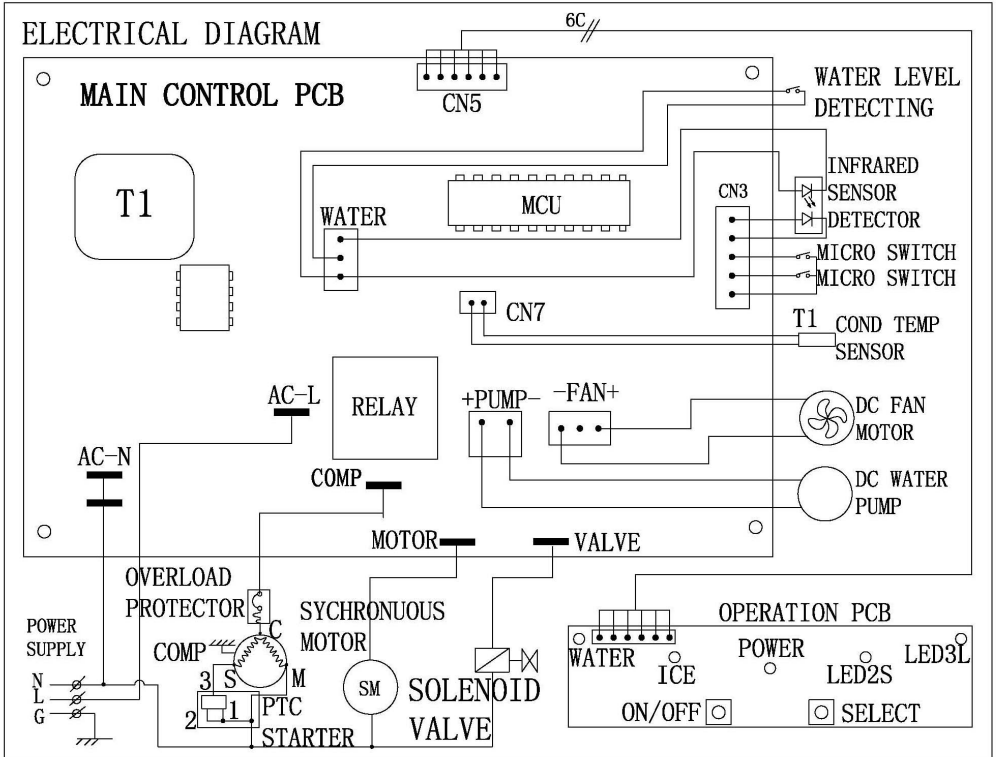
TECHNICAL PARAMETERS & DIAGRAM



TECHNICAL PARAMETERS & DIAGRAM

- | | | |
|----------------------------|----------------------------|--------------------------|
| 1. Power cord | 14. Ice scoop | 27. Stainless wire |
| 2. Back panel | 15. Back window | 28. Condenser |
| 3. Plate reinforce | 16. Back top panel | 29. DC Fan motor |
| 4. Magnetic valve | 17. Ornament pad | 30. Filter dryer |
| 5. Evaporator | 18. Front top panel | 31. Copper tube filter |
| 6. Control box cover | 19. Operation panel frame | 32. Silicon plug drain |
| 7. Main PCB | 20. Displaying PCB | 33. Nylon plug drain |
| 8. Control box | 21. Touch pad | 34. Silicon sealing pump |
| 9. Ice making box | 22. Ice basket | 35. DC water pump |
| 10. Micro switch | 23. Foamed assembly | 36. Compressor |
| 11. Inner tank bracket, LH | 24. Water filter | 37. Plate bottom |
| 12. Cam | 25. Inner tank bracket, RH | 38. Rubber foot |
| 13. Ice scoop link | 26. Synchronous motor | 39. Air grille |

ELECTRICAL CIRCUIT DIAGRAM



NATIONAL LUNA LIMITED WARRANTY

This Warranty, for SOUTH AFRICA only, supersedes any other advertised Guarantee or Warranty provided with this appliance by any wholesaler or retailer.

National Luna warrants this product to be free from defects in materials and / or workmanship under normal use and service to the original purchaser subject to the following:

1. At any time within THREE YEARS from the date of purchase by the original purchaser, National Luna will at its discretion replace or repair without cost to the owner, and if through an authorised service agent, any part found to be defective by National Luna.
2. Where parts are replaced by an authorised service agent, the labour account for the work done will be for the owner's account.
3. The Warranty will not apply in cases of normal wear & tear or damage caused by non-observance of the user Instruction Manual.
4. National Luna may consider a warranty void if modifications have been made to this appliance which may cause hazardous operation or may be the cause of the malfunction of this product.
5. National Luna shall not be responsible for any damages of any kind resulting from incorrect voltages or faults with regards to power supply which fall outside of the appliance operating specifications.
6. National Luna shall not be responsible for damage to the appliance caused by negligent use, storage of hazardous chemicals, use of corrosive substances, fire, flood, civil-disturbances, lightning or any other natural phenomenon.
7. National Luna will not accept any responsibility for the consequential loss or damage caused by, or due to the malfunctioning of this appliance.
8. National Luna shall not be held responsible for any injuries to persons caused by the incorrect or negligent usage of this appliance.
9. Repair work to be done in terms of this warranty must be referred to National Luna for written authorisation before any work is carried out.
10. Warranty returns to the factory for repairs - if the unit has been shipped to the factory for repairs, transport costs will be for the owners account.
11. Proof of purchase and purchase date must be presented with submission of a warranty claim. All units have a unique serial number. (For your convenience fill in your details in the area provided below and keep this manual in a safe place.)

Supplier's name : _____

Supplier's Stamp :

Date purchased : _____

Invoice No : _____

Model : _____

Serial No : _____

(Removal of the serial number on the appliance will render this warranty void).



Camping **ICE MAKER**

TECHNICAL INFORMATION

Model	NL12-ICE MAKER
Power Supply	220 – 240Vac / 50Hz
Electrical Safety Class	I
Climate Class	SN, N, ST, T
Ice-making Rating	0.7A
Ice-harvest Rating	1.0A
Refrigerant	R600a/26g
Foam Insulation	C5H10
Net Weight	7.8kg
Dimension (W x D x H)	242mm x 358mm x 328mm

- Cycle time: 6-13 minutes
- 2.2 L Water Reservoir Capacity
- 0.7kg Ice Basket Capacity (Full)
- Hollow Bullet Shape Ice (2 x size options)
- Operating Ambient Temperature 10°C to 43°C

National Luna sales and support:
Tel : +27 (0)11 452-5438
info@nationalluna.com